

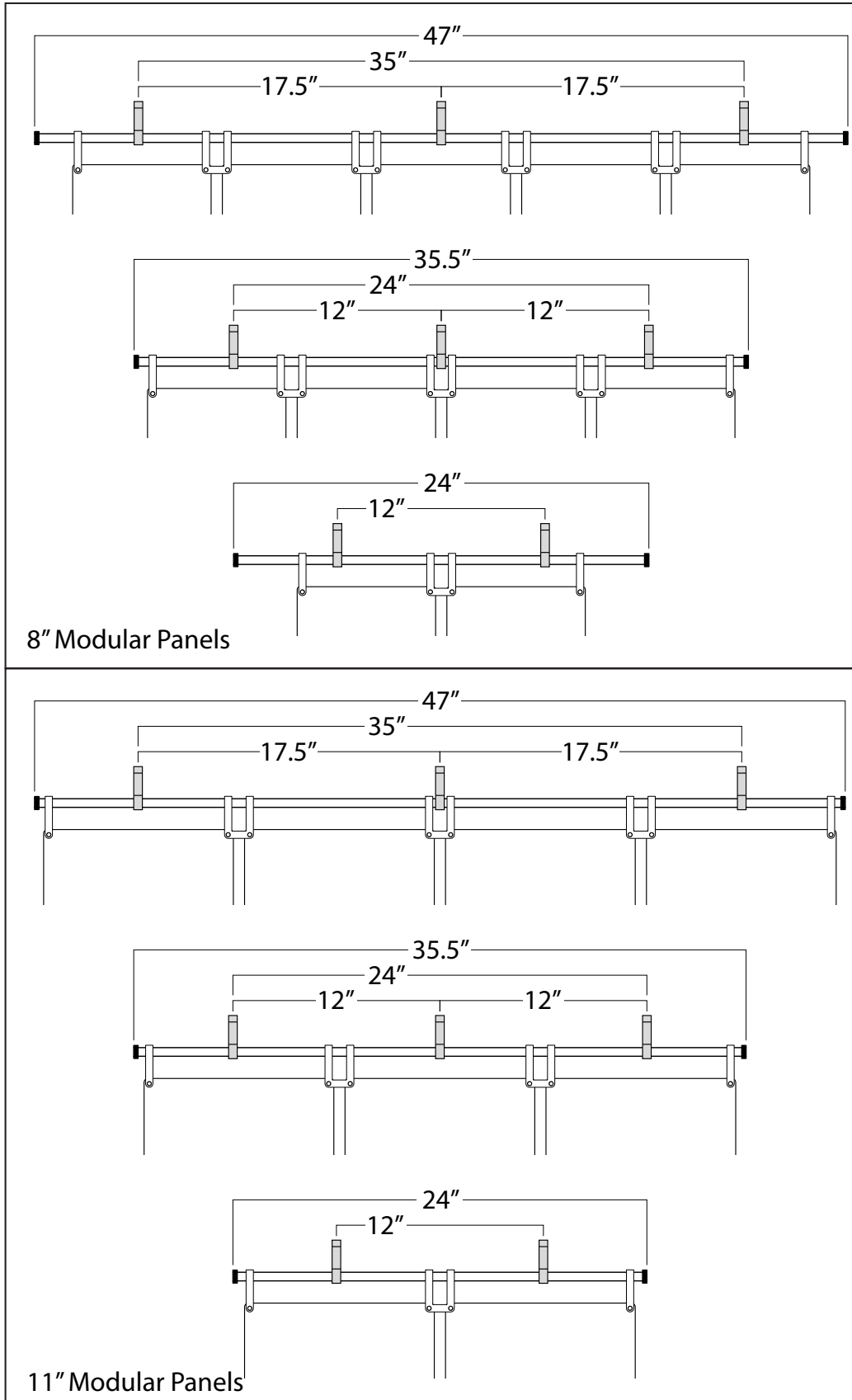
Installing brackets and bar for the Modular Panels.

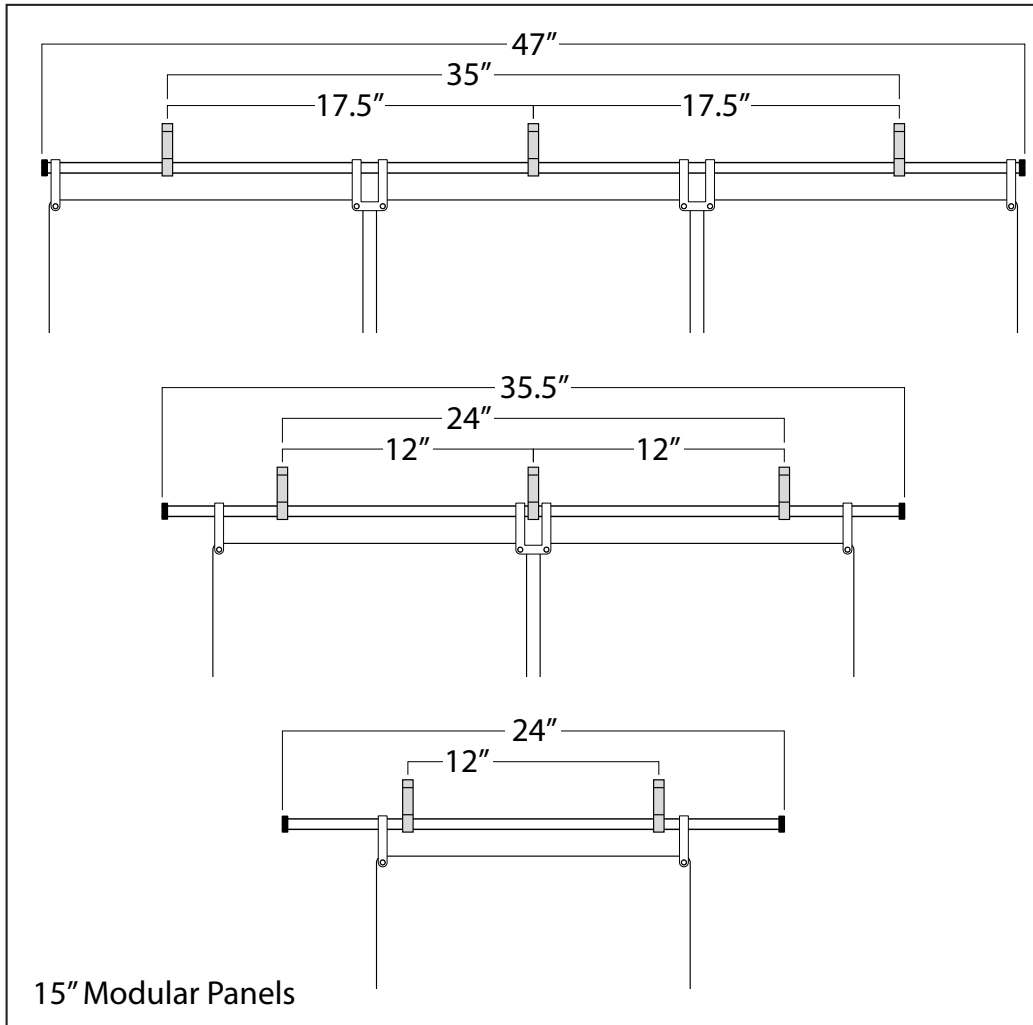


Shown below are the components that will be provided to install the bar for the Modular Panels. Depending on the length of the bar, the number J shaped brackets will vary.



The illustrations below show the different lengths of bars available for 8", 11", and 15" Modular Panels. It also shows, the location and measurements to where the J shaped brackets should be place in the ceiling or wall.





- 1. Tape Template and Drill.** Tape the provided template to the ceiling or wall where Modular Panels will be placed. Drill the needed holes using the holes in the template. Use a $1/8''$ drill bit when using just screws, and a $3/16''$ drill bit for the drywall anchors.



2. **Attaching Brackets.** Use a Phillips head screw driver to attach the brackets to the ceiling or wall using the screws provided. If needed, use the drywall anchors which is also provided.



3. After installing all the brackets, insure that they are all facing outward. You can finish by placing the rod and assembled Modular Panels on the brackets.



Congratulations, you have finished installing your new Modular Panel and bar.